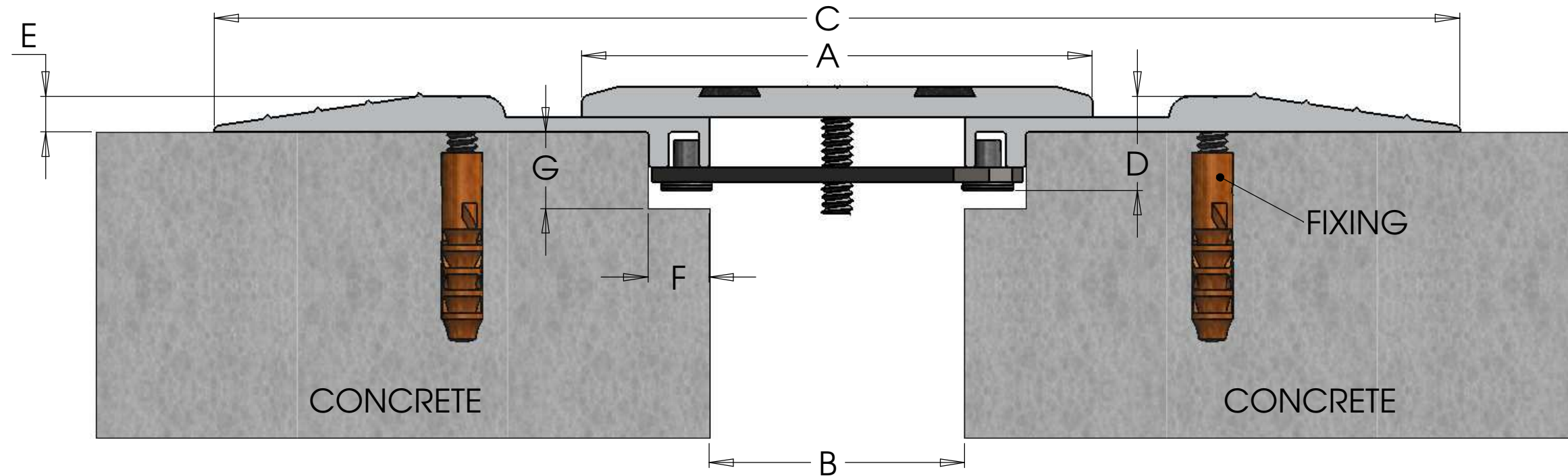


INSTALLATION

DO NOT SCALE

MISKA MFAPC100S2GPLT



MISKA MFAPC100S2GPLT

A	COVERPLATE	6 X 100mm GRIPLATE
B	GAP (MIN, MID, MAX)	(20,50,80)mm
C	OVERALL WIDTH (MIN, MID, MAX)	(214,244,274)mm
D	BASE HEIGHT	18.5mm
E	HEIGHT	7mm
F	BLOCKOUT WIDTH	13mm
G	BLOCKOUT HEIGHT	16mm
	MOVEMENT	60mm

PRODUCTION DRAWING

ENGINEERED ARCHITECTURAL PRODUCT
 PHONE (+617) 3277 7077
 (+617) 3277 8858
 EMAIL ENQUIRES @ MISKA.COM.AU
 WEB WWW://MISKA.COM.AU



DRAFTED: AO	DATE: 22.11.10
VERIFIED: NJ	DATE:
APPROVED:	DATE:
Q.A:	DATE:
SCALE: 1:1	
CONCEPT NO: -	

TITLE: MFAPC100S2GPLT

DWG NO: P000088

REVISION: 0

SHEET 1 OF 2

SHEET SIZE A3

THIS DRAWING IS COPYRIGHT AND THE PROPERTY OF MISKA PTY. LTD. AND MUST NOT BE REPRODUCED WITHOUT WRITTEN PERMISSION

1	2	3	4	5	6	7	8		
A	INSTALLATION						DO NOT SCALE		
B	ANCHOR	RAMPLUG M8	CODE	DNP08	SCREW	12 GAUGE	HOLE ϕ 8mm		
C	MISKA MFAPC100S2GPLT							CONCRETE	
D									CONCRETE
E	MISKA MFAPC100S2GPLT							THIS DRAWING IS COPYRIGHT AND THE PROPERTY OF MISKA PTY. LTD. AND MUST NOT BE REPRODUCED WITHOUT WRITTEN PERMISSION	
F	PRODUCTION DRAWING		ENGINEERED ARCHITECTURAL PRODUCT		MANUFACTURING EXPANSION JOINT SOLUTIONS		DRAFTED: AO DATE: 22.11.10		
			PHONE (+617) 3277 7077		miska		VERIFIED: NJ DATE:		
			(+617) 3277 8858				APPROVED: DATE:		
			EMAIL ENQUIRES @ MISKA.COM.AU				Q.A: DATE:		
			WEB WWW://MISKA.COM.AU				SCALE: 1:1		
							CONCEPT NO: -		
							TITLE: MFAPC100S2GPLT		
							DWG NO: P000088		
							REVISION: 0		
							SHEET 1 OF 2		
							SHEET SIZE A3		
1	2	3	4	5	6	7	8		