

# AC Griplate™ Series - Aluminum

Expansion joint cover system



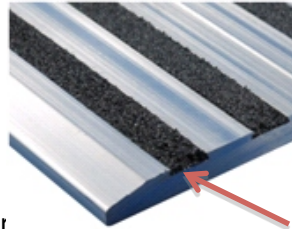
## Innovative solutions for Pedestrian Traffic

The AC Griplate™ expansion joint cover solution is a patent pending slip resistant cover plate utilising an epoxy based carborundum in fill that helps provide a long wearing, slip resistant surface designed for environments such as:

- All types of retail centres
- Pedestrian walkways
- Airports, hotels, stadiums, etc.

### Features

- Griplate™ Cover Plate, conforms to AS NZS 4586 for slip resistance. Classified V rating, highest classification.
- Designed to comply with AS1170.1 Live floor loadings for retail areas
- Structural Grade Aluminium 6061
- Vertical movement  $\pm 10$  mm
- Can be installed to suit all floor types including tile, stone, vinyl, concrete and epoxy.



Long wearing epoxy based carborundum infill's



### Benefits

- Low maintenance though design simplicity
- Griplate™ reduces risk of slips and falls and associated public liability
- Structural Grade materials ensures extended serviceability.

### Other Options

- Cast in or Terrazzo Anchor System Available
- Water and Fire barrier
- Recommended Bedding Materials:
  - Pedestrian Traffic: Ramset Premier Grout
  - Vehicle traffic: Miska FC122 Epoxy Mortar

AS4586 Test Certified



### Additional Services

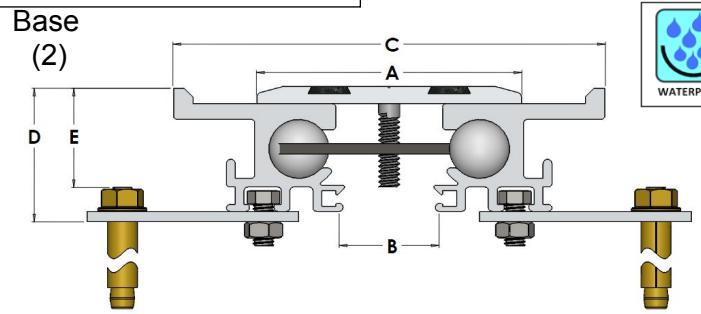
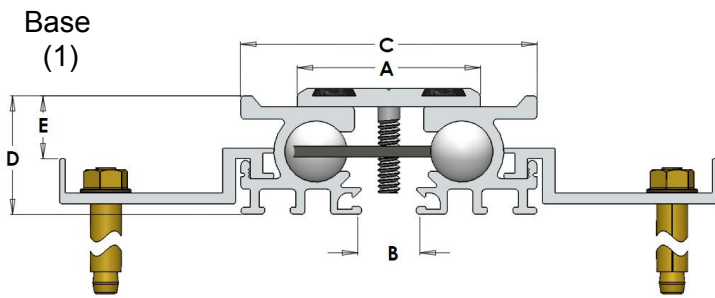
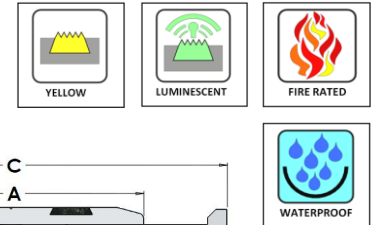
#### Loading

Miska provides loading calculations based on specific project requirements.

#### Installation

Installation instructions provided on request, Miska can also provide contacts for approved installers in your area. Please contact your representative for details.

### Options Available:



Block out Dimensions  
45 H x 100 W

## Physical Data

All measurements stated are in mm.

Code	Base	A = Coverplate		B = Gap				C = Exposed Width			D	E	
		Width	Thickness		Min	Mid	Max	mvmt	Min	Mid			Max
			Overall	Loading									
AC50GPLT	(1)	50	5	3	5	16	27	22	69	80	91	33	17.5
AC75GPLT	(2)	75	5	3	5	28	52	47	99	122	146	38	28
AC100GPLT	(2)	100	6	4	17	47	77	60	111	141	171	38	28

Disclaimer: The information contained in this publication is intended to give a fair description of the products and their capabilities. No responsibility or liability by the manufacturers will be accepted for misuse, misreading or deviation from the recommended guidelines of these products. As new technology is introduced, or industry standards are altered, Miska reserves the right to alter the information without notice.

Rev.03  
Dec 2010

### Miska (Aust) P/L

(A business unit of ITW Australia)

P.O. Box 1021 Archerfield, Queensland, 4110.

Telephone: 61 7 3277 7077 Facsimile: 61 7 3277 8858

Web: www.miska.com.au